

Standard products, Aspheric Lenses

(Unit/mm)

Code No.	Diameter D1	Diameter D2	Center Thickness tc	Clear Aperture	Focal Length f	Back Focal Length fb	Back shape	Material Glass	Price
#906-1	13.0 ± 0.3		4.69 ± 0.2	10	12.7	9.6	Plano	B270 equivalent	US\$26.70
#715	18.0 ± 0.2		8.5 ± 0.2	16	15.0	9.4	Plano	B270 equivalent	US\$31.20
#207	27.0 ± 0.2		12.0 ± 0.2	25	19.1	11.2	Plano	B270 equivalent	US\$35.60
#913	29.9 ± 0.2	27.8	11.0 ± 0.3	27	26.6	19.4	Plano	B270 equivalent	US\$38.90
#101	32.0 ± 0.2		14.3 ± 0.2	30	21.9	12.5	Plano	B270 equivalent	US\$41.20
#205	34.3 ± 0.2	33.9	13.0 ± 0.2	32	28.0	19.5	Plano	B270 equivalent	US\$46.70
#303	49.5 ± 0.3		19.5 ± 0.2	47	39.1	26.4	Plano	B270 equivalent	US\$55.60
#201	50.0 ± 0.3		18.6 ± 0.2	48	38.2	26.0	Plano	B270 equivalent	US\$55.60
#10069	51.8 ± 0.2	50	12.8 ± 0.2	49	60.0	51.6	Plano	B270 equivalent	US\$56.70
#305 (Tempered)	59.8 ± 0.3		28.0 ± 0.3	56	40.2	22.5	R290	B270 equivalent	US\$66.70

Condition of purchase

- Payment in advance.
- Delivery fee is on consignee

An Aspheric surface reduces aberration and has a higher NA than spherical lenses, Aspheric lenses are suitable for Relay lenses or Condenser lenses.

Isuzu Glass uses a manufacturing process by which softened glass is pressed into a die.

The advantages of the pressing method, compared to other mechanical processes, include the ability to make many lenses without losing quality, greater design flexibility, and lower cost.

The focal length can be changed by the spherical processing of the back side.

Lens coating, the change of diameter by cementing or thermally temper request are also acceptable.

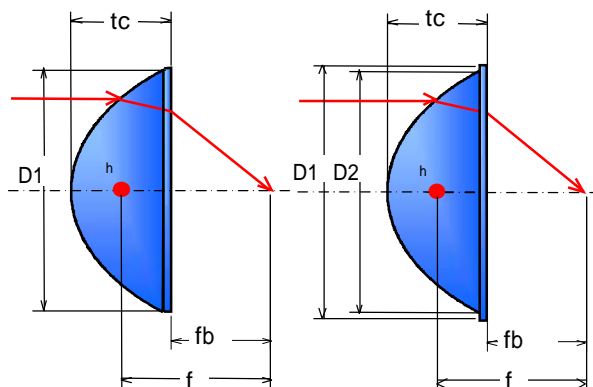
Please feel free to consult us!

· Coating: AR, UV, IR, Mirror

· Size: 10 ~ 150 mm (We also can provide custom-designed lens)

Note : Maximum deviation of "f" and "fb" +/-5%

<p>Glass material <u>B270 and equivalent</u> nd=1.523 vd=58.6 sw=2.54</p>



ISUZU GLASS, INC.,

23505 Crenshaw Blvd., Suite 130 Torrance, California 90505, U.S.A.

TEL: +1-310-517-1866 FAX: +1-310-517-1869

e-mail: sales@isuzuglass.com

Date : 25/Oct/2011