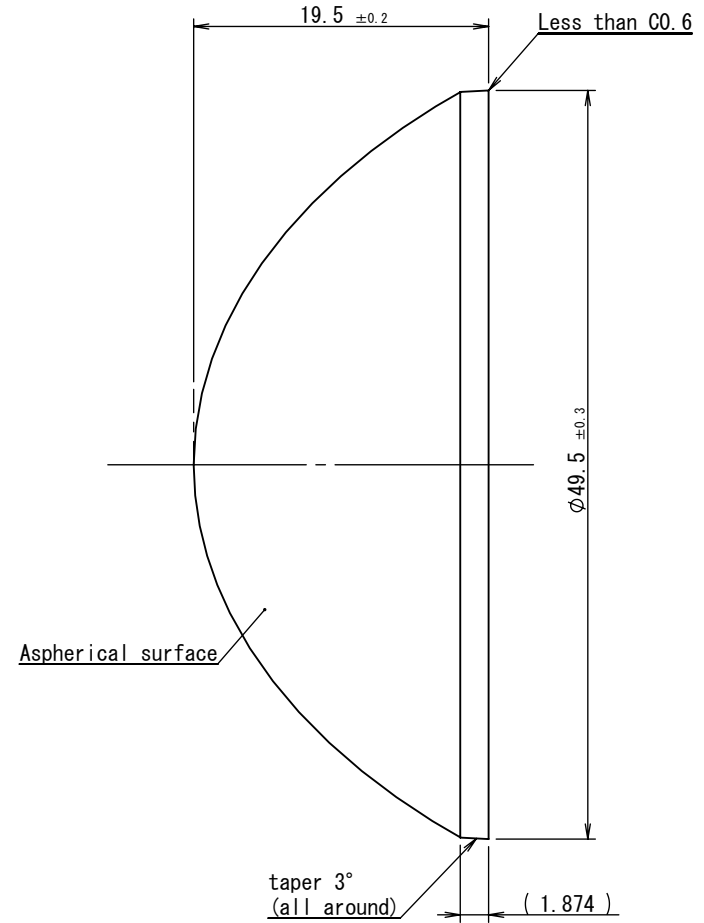
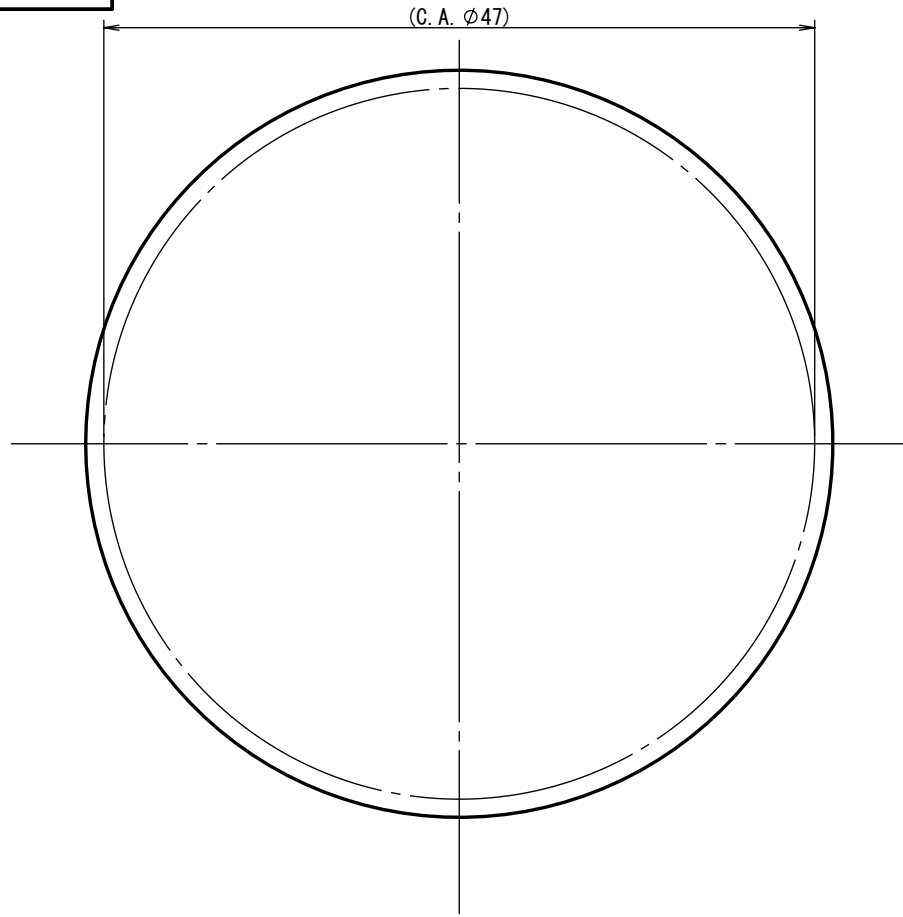


#303



Note

$y^2 = ax + bx^2$  (a = 41 , b = -0.37)

f : 39.2mm ±5%  
fb : 26.4mm ±5%

MARK	DATE	DESCRIPTION	DRW	APRV	PRODUCT NO.	METAL MOLD NO.	DATE	SCALE	TITLE	
						#303	2015/02/16	2:1	Aspherical Lens	
					MATERIAL	SURFACE TREATMENT	CHECKED BY	DRAWN BY	Shape Drawing	
					B270			N. TANIGUCHI		
					MATERIAL THICKNESS	UNIT	APPROVED BY	DESIGNED BY		
						mm		N. TANIGUCHI		
					<b>ISUZU GLASS LTD.</b>				PART NO. -	DWG NO. 0303P001-D